



# TRESU Ancillary

## Product Program for Offset Printing

## Offset

TRESU Ancillary is the world's leading supplier of chamber doctor blade systems along with a wide range of high-performance ancillary equipment.

Make your way through the process ladder below and see the TRESU Ancillary solutions on offer for your new and existing offset printing and coating equipment.



SEGMENT

Commercial • Label • Folding Carton • Flexible Packaging



SUBSTRATE

Paper



Foil



Carton



Plastic



COATING/INK

Water Based • UV • Solvent



FORMAT

Sheet • Web



MACHINE TYPE

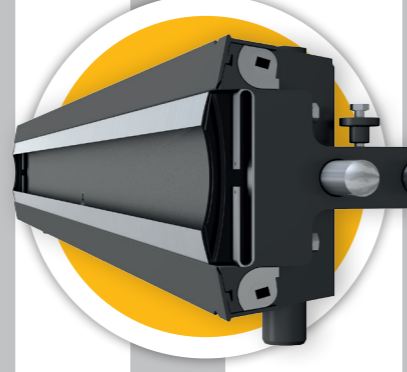
Inline



CHAMBER TYPE

**E-Line**

Aluminium chamber with eccentric clamping for fast doctor blade change and high quality doctoring.



The patented TRESU Seal ensures perfect sealing



CHAMBER SURFACE

**HA-S**

Hard Anodized-S surface with good repelling capabilities in connection with inking and cleaning procedures.



SUSPENSION

**UniPrint B**

Universal, robust and stable BEAM suspension with easy access and maintenance.



**FlexiPrint Basic**

Standardized, compact suspension with easy access manual loading.



**UniPrint Combi**

Streamlined and compact suspension with smart pneumatic and mechanical AirLock.



COATING/INK PUMP

L5i • L10i Aqua/UV • L30i Combi • XL5i • XL 20



CONDITIONER

X10 for iSeries

Manual, semi- or fully automatic ink supply systems



DRYING

Ink/Coating Dryer

Customized infrared and hot air drying



CLEANING

L5i • L10i Aqua/UV • L30i Combi • XL5i • XL 20

Manual, semi- or fully automatic integrated cleaning



PRINTING PLATE CLEANING

Not in Demand



CHILLING

iSeries Chilling System

High-performance process and temperature control

## TRESU coating circulator and conditioner program

System	Li Series				XL Series				X Series			
	L30i Combi	L10i Aqua	L10i UV	L5i	XL5i	XL1	XL20	XL20	X10(i)	X15	XD	XDW
Cleaning function	Fully automatic		Fully automatic	Semi automatic	Semi automatic	Manual	Manual	Manual				
	NO	YES	NO	YES	NO	YES	N/A	N/A	YES	NO	N/A	N/A
Pressure control	Standard	●	○	○	○	○	○	○	○	○	○	○
	High viscosity	●	●	○	○	○	○	○	○	○	○	○
	Foaming sensitive	●	●	○	○	○	○	○	○	○	○	○
	Metallic / Pearl	○	○	○	○	○	○	○	○	○	○	○
	Opaque white	○	○	○	○	○	○	○	○	○	○	○
Special	Special coating	○	○	○	○	○	○	○	○	○	○	○
	Standard	●	○	○	○	○	○	○	○	○	○	○
	High viscosity	●	○	○	○	○	○	○	○	○	○	○
	Foaming sensitive	●	○	○	○	○	○	○	○	○	○	○
	Metallic / Pearl	○	○	○	○	○	○	○	○	○	○	○
UV	Opaque white	○	○	○	○	○	○	○	○	○	○	○
	Special coating	○	○	○	○	○	○	○	○	○	○	○
	Standard	●	○	○	○	○	○	○	○	○	○	○
	High viscosity	●	○	○	○	○	○	○	○	○	○	○
	Foaming sensitive	●	○	○	○	○	○	○	○	○	○	○
NOTE! Ask the supplier, for coating specifications.	● Recommended		● Possible		● Restricted		○ Not possible					
	●		●		●		○					

**NOTE!** Ask the supplier, for coating specifications.  
**Fully automatic:** Empty coating, cleaning and drain can be carried out from an operator panel.  
**Semi automatic:** Empty coating and cleaning procedures are controlled by a timer. Switching lances from coating to detergent is carried out manually.  
**Manual:** Cleaning and draining procedures are manual.



The Best Part of Innovation