

TRESU Ancillary Product Program

TRESU Ancillary Product Program



TRESU Global Service



Special Applications

TRESU original parts Webshop

Order your original spare parts online in the TRESU Webshop and save money. You can shop by press or by parts - directly, conveniently, and secure...

Shop by Press
manroland MITSUBISHI HEIDELBERG KBA KOMORI
Shop by Part

www.TRESU-WEBSHOP.com

www.TRESUROYSE-WEBSHOP.com (US only)

TRESU A/S
Venusvej 44
DK6000 Kolding
Denmark
Tel: +45 76 32 35 00
Mail: tresu@tresu.com
www.tresu.com

TRESU GmbH
Giftener Str. 9A
31157 Sarstedt
Germany
Tel: +49 5066 9174286
Mail: tresu@tresu.de

TRESU Italia s.r.l
Via delle Groane 27/b
I-20024 Garbagnate Milanese (MI)
Italy
Tel: +39 02 96 59 202
Mail: tresu@tresu.it

TRESU Japan Co., Ltd.
8-1-32, Nanko Naka
Suminoe-ku
Osaka, 559-0033
Japan
Tel: +81 6 4703 0601
Mail: sales@tresu.jp

TRESU China
Huashang Building, Room 613
No. 2 Yanjing Xili
Chaoyang District
100025 Beijing
China
Tel: +86 (0) 10 65911628
Mail: sales@tresu.cn

TRESU Americas
635 WESTPORT PARKWAY,
SUITE 300
GRAPEVINE, TX76051
USA
Tel: +1 214 631 2844 Mail:
tresu-americas@tresu.com

TRESU Group The Best Part of Innovation

TRESU Group

TRESU Ancillary

Product Program for Special Applications

Special Applications

TRESU Ancillary is the world's leading supplier of chamber doctor blade systems along with a wide range of high-performance ancillary equipment.

Our special application ancillary products are designed to help you achieve optimum performance of the printing and coating process within the metal decorating, coating, gravure and glue segments.



SEGMENT

Metal Decorating • Coating • Gravure • Glue



SUBSTRATE

Cardboard



Plastic & Foil
Electronic & Organic Materials



Paper Non-Woven
Conductive Metal
Battery Materials
Aluminium Carton



COATING/INK

Water Based • UV • Solvent • Glue • Chemicals



FORMAT

Sheet • Web



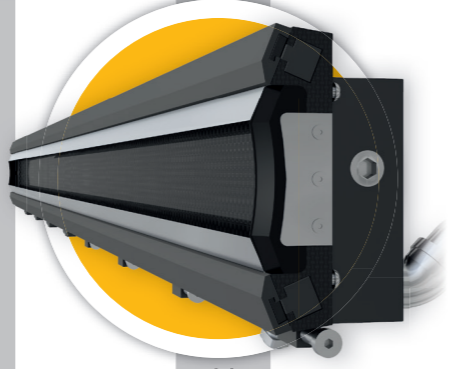
MACHINE TYPE

In-line • Single Unit

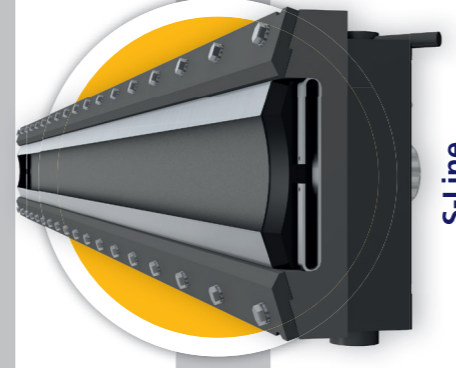


CHAMBER TYPE

P-Line
Aluminium or carbon fiber chamber with quick, pneumatic clamping of doctor blades and high quality doctoring

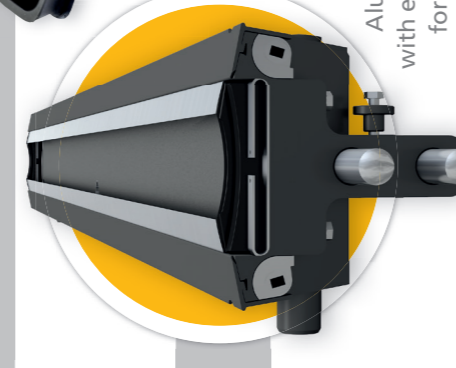


Aluminium chamber with high corrosion resistance and screw-based clamping of doctor blades



S-Line

E-Line
Aluminium chamber with eccentric clamping for fast doctor blade change and high quality doctoring.



CHAMBER SURFACE

HA-S

Hard Anodized-S surface with good repelling capabilities in connection with inking and cleaning procedures



CFX

Ceramic surface for flexo printing with high corrosion resistance and efficient repelling capabilities in connection with inking and cleaning procedures



CFC

Carbon Fiber Chamber with unique ink-repellent surface and high corrosion resistance for extra protection against ink and detergents



SUSPENSION

UniPrint C

Robust, stable and COMPACT suspension for wide web machines with limited space.



CLOSED

UniPrint B

Universal, robust and stable BEAM suspension with easy access and maintenance.

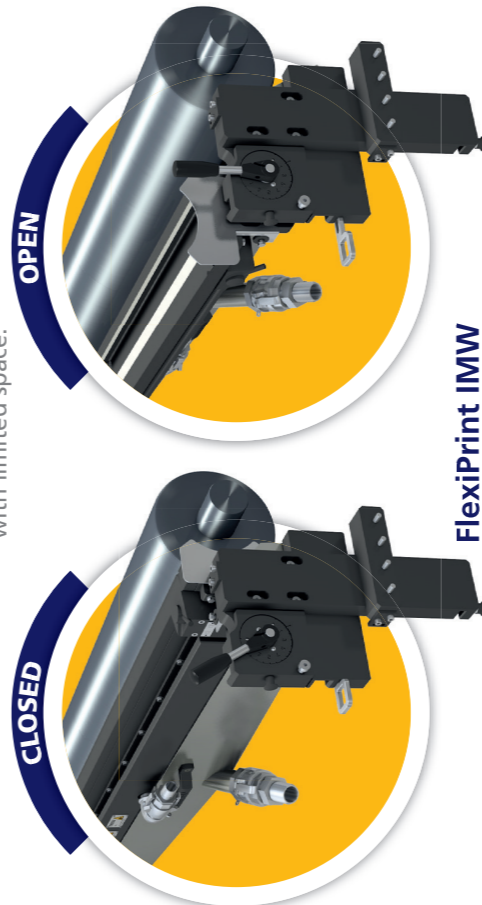


CLOSED

CLOSED

FlexiPrint IMW

Compact, streamlined suspension with FlexLoc mechanical loading for easy handling.



CLOSED

FlexiPrint Basic

Standardized, compact suspension with easy access manual loading.



CLOSED



COATING/INK PUMP

Customized Solutions • F10iCon • XL5i • F1 Basic
Manual, semi- or fully automatic ink supply systems • Basic Ink Pump



CONDITIONER

Not in Demand



DRYING

Customized Solutions
Customized infrared and hot air drying



CLEANING

F10 iCon • Customized Solutions
Manual, semi- or fully automatic integrated cleaning



PRINTING PLATE CLEANING

Not in Demand



CHILLING

Standard or Customized Solutions
High-performance process and temperature control



LITHIUM ION BATTERY



INSPIRATION Foto



Standard or Customized Solutions
High-performance process and temperature control

TRESU Group

The Best Part of Innovation