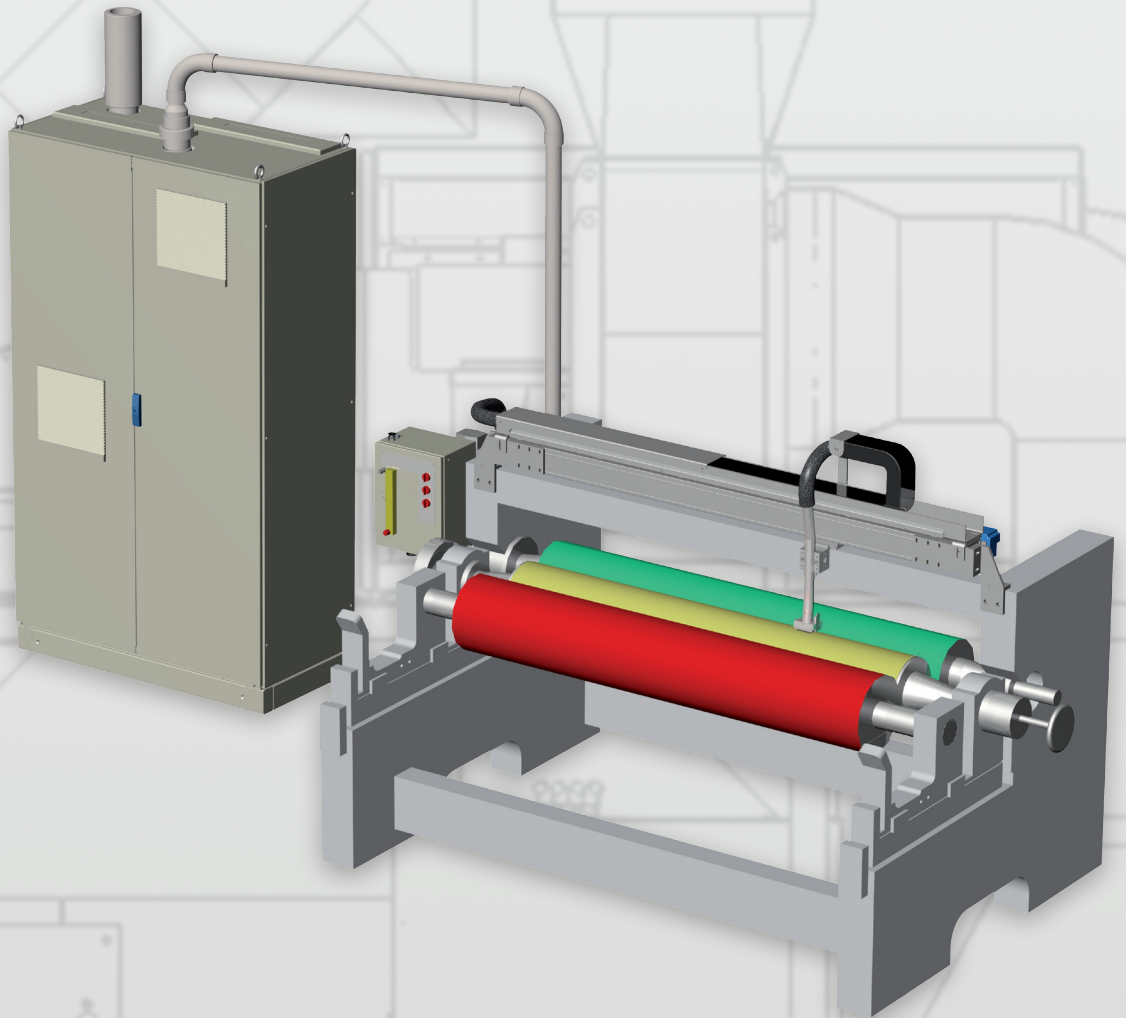
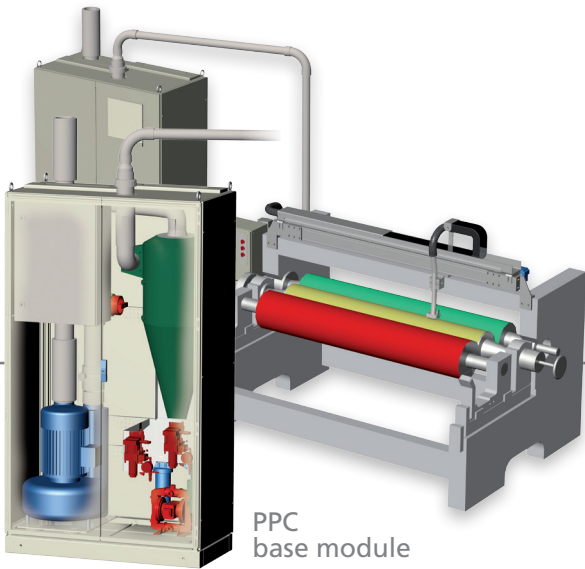




TRESU Printing Plate Cleaner

Printing plate cleaning system





PPC
base module

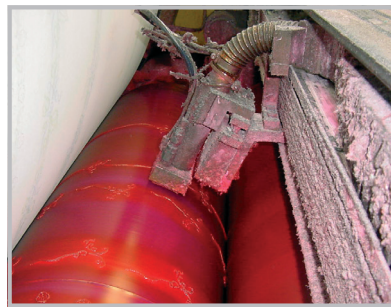
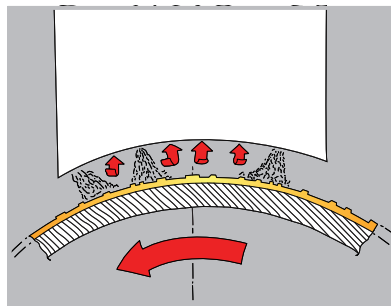
TRESU Printing plate cleaner

Printing plate
cleaning system

The fully automatic, contact-free, in-line cleaning system for flexo printing plates. It is the only system in the world that cleans the printing plate during production, or performs an intensive post-production cleaning process.

The PPC base module contains the high pressure pump, a vacuum pump with cyclone and the control for individual adjustment and observation of the printing stations

- Higher and consistent print quality
- Standard- and turbo cleaning
- No production downtime due to printing plate cleaning
- No damages to the printing plates
- No manual cleaning
- Less production waste
- Safe operation by remote control



The contact-free
process guarantees
optimal cleaning
and personal safety

The printing plate
cleaner improves
the print quality of
napkin applications

The printing plate
cleaner improves
the print quality of
tissue applications

Technical Specifications

Velocity of the cleaning head:	40 - 100 mm/sec
Liquid consumption at CLEAN:	4 - 6 L/hour
Air consumption per active station:	0,13 m ³ /min at 6 bar · 0,75 m ³ /min free air
Vacuum:	Max. 250 mbar
Control cabinet:	IP54
Water:	Clean, lime free